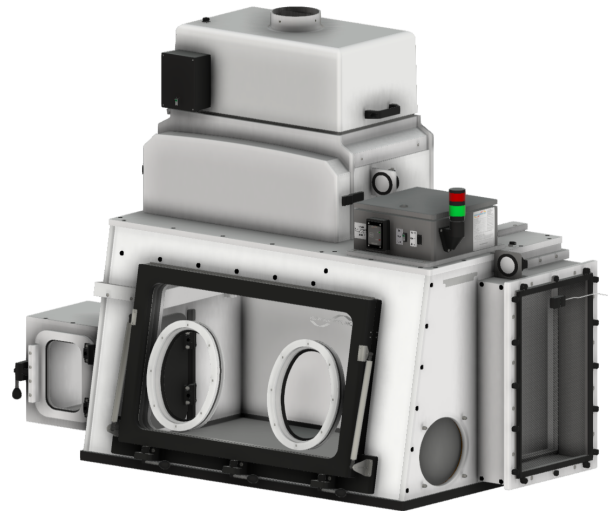
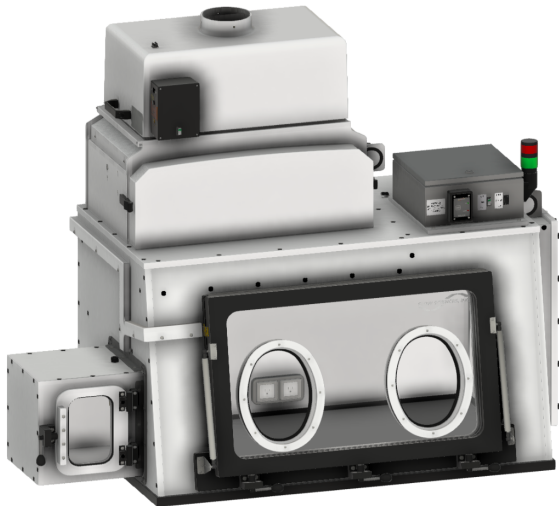


GLOVEBOX WORKSTATION
EGP483024ABD0
TECHNICAL SPECIFICATIONS

GLOVEBOX WORKSTATION – EGP483024ABD0



GENERAL DESCRIPTION

DESIGNATED USAGE

For use with HPAPI, oncology, and ADCs. HEPA inlet filter for ISO 5 or better interior cleanliness. Surrogate Powder Testing Below 30 ng/m³.

PRIMARY ENGINEERING CONTROL (PEC) TYPE

Glove box.

CONTAINMENT LEVEL

Heavily dependent on potency and quantity of the toxic material being worked with, this unit can contain to nanogram levels and from OEB 4-5.

<p>MODEL SPECIFICATIONS</p>	<p><u>CONFIGURATION</u></p> <p>The EGP series basic setup includes a main door, with integrated gloves, for loading and unloading of equipment; inlet HEPA filter; dual HEPA exhaust filters with Bag In/Bag Out primary filter; a pass through (left side) for loading unloading small items; blanked plate on right side for optional accessories such as continuous liner, disposal port, customized master port, RTP Alpha port; interior lighting; electrical control box with integrated alarm and go/no-go stack light.</p>			
	<p><u>EXTERIOR DIMENSIONS</u></p>		<p><u>INTERIOR DIMENSIONS</u></p>	
	<p>Length:</p>	<p>66.50" with pass thru</p>	<p>Length:</p>	<p>46.00"</p>
	<p>Depth:</p>	<p>34.05"</p>	<p>Depth:</p>	<p>30.00"</p>
	<p>Height:</p>	<p>55.91"</p>	<p>Height:</p>	<p>24.75"</p>
	<p><u>PASS THROUGH INTERNAL DIMENSIONS</u></p>		<p><u>DOOR OPENING DIMENSIONS</u></p>	
	<p>Length:</p>	<p>11.88"</p>	<p>7.00"</p>	
	<p>Depth:</p>	<p>10.00"</p>	<p>N/A</p>	
	<p>Height:</p>	<p>12.00"</p>	<p>9.50"</p>	
	<p>MATERIALS OF CONSTRUCTION</p>	<p>Wall panels:</p>	<p>White 0.75" Polypropylene</p>	
<p>Work surface:</p>		<p>Black 1" Phenolic Resin Base dished to 0.5", Routed to Fit Sidewalls for Containment</p>		
<p>Viewing Panels:</p>		<p>0.25" Acrylic</p>		
<p>Plenums/Baffle:</p>		<p>White 0.25" Polypropylene</p>		
<p>TECHNICAL SPECIFICATIONS</p>	<p><u>LAMINAR AIR FLOW FILTRATION</u></p> <ul style="list-style-type: none"> ○ Fan & filter modules are mounted on the top panel of the unit ○ Fan & filter modules provide HEPA (99.995% at mpps) vertically laminar filtered air ○ Air velocity: 120 ft/minute average +/-5 when measured at inlet filter ○ Inlet HEPA Filter placed at right side of unit 			
	<p><u>FAN CONSTRUCTION</u></p> <ul style="list-style-type: none"> ○ High speed balanced galvanized steel fan impeller wheel for low vibration and high energy efficiency. ○ Fan shroud fabricated from fiberglass. ○ Impeller Diameter = 9.8" ○ Overall output of 50-55 dB @ 3 feet at maximum airflow. Entire unit affords two orders of magnitude isolation from adjacent equipment vibration and four orders of magnitude isolation from fan vibration. ○ Fan speed control unit included to properly set flow rate. 			

	<p><u>ELECTRICAL REQUIREMENTS</u></p> <ul style="list-style-type: none"> ○ Fan: 120VAC, 50/60Hz, 1PH, 2.25AMPS, 270 WATTS at maximum flow, 5A FUSED. ○ LED Light: 100-240 VAC, 50/60 Hz, 2.0 Amps ○ Alarm integrated into electrical control box housing ○ Hospital grade power cord supplied
	<p><u>LIGHTING</u></p> <ul style="list-style-type: none"> ○ LED Fixtures mounted in the top of the front panel all across the work surface ○ Natural cool white light. (Amber option available) ○ LED Lifetime 50,000 hours, 2600 lumens, max ○ 3.04A-0.97A @ 12V-30V DC, universal power supply ○ Luminous Efficiency: 90 Lumens/Watt typical at 24 V dc at 25°C
	<p><u>CONTROLS</u></p> <ul style="list-style-type: none"> ○ Light switch on/off button ○ Fan switch on/off ○ Integrated Alarm with Lighted Status Indicator and Audible alarm ○ Hospital grade power cord
	<p><u>INTERIOR POWER & ACCESSIBILITY</u></p> <ul style="list-style-type: none"> ○ Duplex Outlet in rear wall of unit ○ Pass thru on right side, blank plate on other side
	<p><u>VELOCITY ALARM</u></p> <ul style="list-style-type: none"> ○ 0.2 Amps with dry contact feature provided ○ Integrated into electrical control box housing and equipped with red light which warns of low velocity; green light which indicates normal containment velocity with proper certification
	<p><u>DIFFERENTIAL PRESSURE GAUGE</u></p> <ul style="list-style-type: none"> ○ Minihelic differential pressure switch/gauges. ○ Pressure gauges (0-1" wg; 0-250 pa) installed to monitor the loading of the inlet and primary exhaust HEPA filters.
	<p><u>EXHAUST SPECIFICATIONS</u></p> <ul style="list-style-type: none"> ○ Containment provided with all doors closed ○ For room recirculation, (238) total CFM required to maintain average 120 LFPM +/-5 at inlet filter ○ With thimble, (274) total CFM required to maintain average 120 +/-5 at inlet filter
	<p><u>EXHAUST RECOMMENDATIONS</u></p> <ul style="list-style-type: none"> ○ Use thimble connection (FS2081MS) for House Exhaust connections. ○ No additional equipment required for independent recirculating configuration
DESIGN FEATURES	<p>The Glovebox Workstation is designed with multiple features for maximum containment, ease of use, and ensuring a stable work environment for sensitive activities:</p>

	<p><u>EXHAUST PORT</u></p> <ul style="list-style-type: none"> ○ 6" thimble connections to house system ○ Capable of being recirculated back into the lab
	<p><u>FS1650 ALARM</u></p> <ul style="list-style-type: none"> ○ FS1650 Integrated Face Velocity Alarm Alerts the operator when airflow is compromised.
	<p><u>LED LIGHTING</u></p> <ul style="list-style-type: none"> ○ Standard with white light ○ Optional add-on Amber LED Lighting
	<p><u>FRONT LIFT DOORS</u></p> <ul style="list-style-type: none"> ○ Pneumatic assisted hinged front door that lifts for easy loading and unloading of equipment ○ 42.00W" x 18.50"H Access Opening
	<p><u>DISHED BASE</u></p> <ul style="list-style-type: none"> ○ Dished phenolic base captures accidental liquid and powder spills
	<p><u>PLENUMS</u></p> <ul style="list-style-type: none"> ○ Rear and Top Plenums are used to direct airflow and maintain containment at the face opening. ○ Plenums also prevent particles from possibly falling back onto the work surface during loss of power
	<p><u>BAG IN/ BAG OUT</u></p> <ul style="list-style-type: none"> ○ HEPA change out system that allows for safe removal and replacement of the main 4" HEPA filter.
	<p><u>PASS THRU CHAMBER</u></p> <ul style="list-style-type: none"> ○ One (1) transfer port included on left side ○ Transfer Port Opening external 7"W x 9.5"H ○ Inward swinging transfer door to access main chamber, outward swinging door to access outside
PART #: G 10B1532975A	<p><u>GLOVE PORTS</u></p> <ul style="list-style-type: none"> ○ Quantity: 2 ○ Size: 10" diameter oval glove ports for the manipulation of process material ○ Glove ports are mounted on the front removable panel ○ The system includes: <ul style="list-style-type: none"> - Retaining O-rings - butyl gloves (9.75 hand size, ambidextrous)
	<p><u>CUSTOMIZED MASTER PORT</u></p> <ul style="list-style-type: none"> ○ The blank plate can be customized to install various items such as continuous liner, RTP ports, etc.

<p>PART #: 2092 & APS0825</p> 	<p><u>8" CONTINUOUS LINER SYSTEM</u></p> <ul style="list-style-type: none"> ○ Integrated Continuous Liner System for safe waste disposal. Seal at any increment for disposal of waste in any amount.
<p>PART #: 2093</p> 	<p><u>RTP ALPHA PORT</u></p> <ul style="list-style-type: none"> ○ Accommodates a 105mm RTP Alpha port for connecting various betas or other containers
<p>PART #: 2081MS</p>	<p><u>THIMBLE CONNECTION, 6" TO 7" TRANSITION</u></p> <ul style="list-style-type: none"> ○ Thimble for connection to house exhaust.
<p>PART #: 2062VK</p>	<p><u>VENT KIT, (8') 6" HOSE AND (2) HOSE CLAMP</u></p> <ul style="list-style-type: none"> ○ Hose and Clamp for connection to house exhaust.
<p>PART #: 2077</p>	<p><u>PRINTER SHELF – NO ALARM MOUNT</u></p> <ul style="list-style-type: none"> ○ Label printer shelf for above blank plate for label printing.
<p>PART # 4185</p>	<p><u>PRIMARY 24x14 4" BAG-IN/BAG-OUT HEPA FILTER</u></p>
<p>PART # 4155</p>	<p><u>SECONDARY 24x14 4" HEPA FILTER</u></p>
<p>PART # 4155</p>	<p><u>INLET 24x14 4" HEPA FILTER</u></p>
<p>PART #: AFC241408A_(A/B)</p>	<p><u>CARBON FILTER 24x14 - ORGANIC</u></p> <ul style="list-style-type: none"> ○ Powder coated carbon steel frame containing 8 ABS plastic canisters with coconut shell activated charcoal media.
<p>PART #: AFC241408B_(A/B)</p>	<p><u>CARBON FILTER 24x14 - ACID</u></p> <ul style="list-style-type: none"> ○ Powder coated carbon steel frame containing 8 ABS plastic canisters with impregnated coconut shell activated charcoal media.
<p>PART #: AFC241408C_(A/B)</p>	<p><u>CARBON FILTER 24x14 -AMINE</u></p> <ul style="list-style-type: none"> ○ Powder coated carbon steel frame containing 8 ABS plastic canisters with impregnated coconut shell activated charcoal media.

PART #: AFC241408D_(A/B)	<u>CARBON FILTER 24x14 - ALDEHYDE</u> <ul style="list-style-type: none"> ○ Powder coated carbon steel frame containing 8 ABS plastic canisters with impregnated coconut shell activated charcoal media.
PART #: ATC7230S	<u>TABLE, 72 X 30, POWDER COATED STEEL TABLE</u> <ul style="list-style-type: none"> ○ Powder coated carbon steel cart, on frame and feet, leveling pads ($\pm 1.25''$ of travel).
PART #: ATS7230S	<u>TABLE, 72 X 30, STAINLESS STEEL TABLE</u> <ul style="list-style-type: none"> ○ 304 Stainless steel table, on frame and feet, leveling pads ($\pm 1.25''$ of travel).
PART #: AEC7230S	<u>ADA TABLE, 72 X 30, ELECTRIC POWDER COATED TABLE</u> <ul style="list-style-type: none"> ○ Electric Ergonomic Lift Table, Powder coated carbon steel, on frame and feet, locking casters.
PART #: AES7230S	<u>ADA TABLE, 72 X 30, STAINLESS STEEL ERGONOMIC LIFT TABLE</u> <ul style="list-style-type: none"> ○ Electric Ergonomic Lift Table, 304 Stainless Steel, on frame and feet, locking casters.
PART #: ACC7230S	<u>CART, 72 X 30, POWDER COATED STEEL CART</u> <ul style="list-style-type: none"> ○ Powder coated carbon steel cart, on frame and feet, locking casters.
PART #: ACS7230S	<u>CART, 72 X 30, STAINLESS STEEL CART</u> <ul style="list-style-type: none"> ○ 304 Stainless steel cart, on frame and feet, locking casters.

INSTALLATION AND VALIDATION	Flow Sciences is delighted to offer you Installation services to ensure the complete start-up of your Biological Safety Cabinet.
INSTALLATION, START-UP AND TRAINING	<p><u>INSTALLATION</u> (at an additional charge) Flow Sciences will send One (1) Technician onsite to install equipment within your facility. Flow Sciences may require additional assistance on site. If additional assistance is required, Flow Sciences will request your assistance or provide additional technicians from Flow Sciences (at an additional charge) if no client staff is available.</p> <p><u>START-UP AND TRAINING</u> (at an additional charge) One (1) Flow Sciences technician will demonstrate the usage of the equipment and train your personnel on the usage of the equipment after the installation is complete. Flow Sciences will provide an operating manual which will include the as built drawings and all the materials certificates. ***Please note that proposal amount for Installation, Start-up and Training is for 1 days of work for one technician. Should the labour exceed this time frame, and hourly labour rate will apply.</p>
	<p><u>SURROGATE POWDER TESTS</u> (at an additional charge) Surrogate powder testing available during factory acceptance testing.</p> <p><u>IQQQ – INSTALLATION OPERATION QUALIFICATION</u> (at an additional charge)</p>

GLOVEBOX WORKSTATION
EGG483024ABD0
TECHNICAL SPECIFICATIONS

GLOVEBOX WORKSTATION – EGG483024ABD0



GENERAL DESCRIPTION

DESIGNATED USAGE

For use with HPAPI, oncology, and ADCs. HEPA inlet filter for ISO 5 or better interior cleanliness. Surrogate Powder Testing Below 30 ng/m³.

PRIMARY ENGINEERING CONTROL (PEC) TYPE

Glove box.

CONTAINMENT LEVEL

Heavily dependent on potency and quantity of the toxic material being worked with, this unit can contain to nanogram levels and from OEB 4-5.

<p>MODEL SPECIFICATIONS</p>	<p><u>CONFIGURATION</u></p> <p>The EGP series basic setup includes a main door, with integrated gloves, for loading and unloading of equipment; inlet HEPA filter; dual HEPA exhaust filters with Bag In/Bag Out primary filter; a pass through (left side) for loading unloading small items; blanked plate on right side for optional accessories such as continuous liner, disposal port, customized master port, RTP Alpha port; interior lighting; electrical control box with integrated alarm and go/no-go stack light.</p> <table border="0" style="width: 100%;"> <tr> <td style="width: 50%;"><u>EXTERIOR DIMENSIONS</u></td> <td style="width: 50%;"><u>INTERIOR DIMENSIONS</u></td> </tr> <tr> <td>Length: 66.50" with pass thru</td> <td>Length: 46.00"</td> </tr> <tr> <td>Depth: 34.05"</td> <td>Depth: 30.00"</td> </tr> <tr> <td>Height: 55.91"</td> <td>Height: 24.75"</td> </tr> </table> <table border="0" style="width: 100%;"> <tr> <td style="width: 50%;"><u>PASS THROUGH INTERNAL DIMENSIONS</u></td> <td style="width: 50%;"><u>DOOR OPENING DIMENSIONS</u></td> </tr> <tr> <td>Length: 11.88"</td> <td>7.00"</td> </tr> <tr> <td>Depth: 10.00"</td> <td>N/A</td> </tr> <tr> <td>Height: 12.00"</td> <td>9.50"</td> </tr> </table>		<u>EXTERIOR DIMENSIONS</u>	<u>INTERIOR DIMENSIONS</u>	Length: 66.50" with pass thru	Length: 46.00"	Depth: 34.05"	Depth: 30.00"	Height: 55.91"	Height: 24.75"	<u>PASS THROUGH INTERNAL DIMENSIONS</u>	<u>DOOR OPENING DIMENSIONS</u>	Length: 11.88"	7.00"	Depth: 10.00"	N/A	Height: 12.00"	9.50"
<u>EXTERIOR DIMENSIONS</u>	<u>INTERIOR DIMENSIONS</u>																	
Length: 66.50" with pass thru	Length: 46.00"																	
Depth: 34.05"	Depth: 30.00"																	
Height: 55.91"	Height: 24.75"																	
<u>PASS THROUGH INTERNAL DIMENSIONS</u>	<u>DOOR OPENING DIMENSIONS</u>																	
Length: 11.88"	7.00"																	
Depth: 10.00"	N/A																	
Height: 12.00"	9.50"																	
<p>MATERIALS OF CONSTRUCTION</p>	<table border="1" style="width: 100%;"> <tr> <td style="width: 20%;">Wall panels:</td> <td>White 0.75" Polypropylene</td> </tr> <tr> <td>Work surface:</td> <td>Black 1" Phenolic Resin Base dished to 0.5", Routed to Fit Sidewalls for Containment</td> </tr> <tr> <td>Viewing Panels:</td> <td>0.25" Tempered Safety Glass</td> </tr> <tr> <td>Plenums/Baffle:</td> <td>White 0.25" Polypropylene</td> </tr> </table>		Wall panels:	White 0.75" Polypropylene	Work surface:	Black 1" Phenolic Resin Base dished to 0.5", Routed to Fit Sidewalls for Containment	Viewing Panels:	0.25" Tempered Safety Glass	Plenums/Baffle:	White 0.25" Polypropylene								
Wall panels:	White 0.75" Polypropylene																	
Work surface:	Black 1" Phenolic Resin Base dished to 0.5", Routed to Fit Sidewalls for Containment																	
Viewing Panels:	0.25" Tempered Safety Glass																	
Plenums/Baffle:	White 0.25" Polypropylene																	
<p>TECHNICAL SPECIFICATIONS</p>	<p><u>LAMINAR AIR FLOW FILTRATION</u></p> <ul style="list-style-type: none"> ○ Fan & filter modules are mounted on the top panel of the unit ○ Fan & filter modules provide HEPA (99.995% at mpps) vertically laminar filtered air ○ Air velocity: 120 ft/minute average +/-5 when measured at inlet filter ○ Inlet HEPA Filter placed at right side of unit 																	
	<p><u>FAN CONSTRUCTION</u></p> <ul style="list-style-type: none"> ○ High speed balanced galvanized steel fan impeller wheel for low vibration and high energy efficiency. ○ Fan shroud fabricated from fiberglass. ○ Impeller Diameter = 9.8" ○ Overall output of 50-55 dB @ 3 feet at maximum airflow. Entire unit affords two orders of magnitude isolation from adjacent equipment vibration and four orders of magnitude isolation from fan vibration. ○ Fan speed control unit included to properly set flow rate. 																	

	<p><u>ELECTRICAL REQUIREMENTS</u></p> <ul style="list-style-type: none"> ○ Fan: 120VAC, 50/60Hz, 1PH, 2.25AMPS, 270 WATTS at maximum flow, 5A FUSED. ○ LED Light: 100-240 VAC, 50/60 Hz, 2.0 Amps ○ Alarm integrated into electrical control box housing ○ Hospital grade power cord supplied
	<p><u>LIGHTING</u></p> <ul style="list-style-type: none"> ○ LED Fixtures mounted in the top of the front panel all across the work surface ○ Natural cool white light. (Amber option available) ○ LED Lifetime 50,000 hours, 2600 lumens, max ○ 3.04A-0.97A @ 12V-30V DC, universal power supply ○ Luminous Efficiency: 90 Lumens/Watt typical at 24 V dc at 25°C
	<p><u>CONTROLS</u></p> <ul style="list-style-type: none"> ○ Light switch on/off button ○ Fan switch on/off ○ Integrated Alarm with Lighted Status Indicator and Audible alarm ○ Hospital grade power cord
	<p><u>INTERIOR POWER & ACCESSIBILITY</u></p> <ul style="list-style-type: none"> ○ Duplex Outlet in rear wall of unit ○ Pass thru on right side, blank plate on other side
	<p><u>VELOCITY ALARM</u></p> <ul style="list-style-type: none"> ○ 0.2 Amps with dry contact feature provided ○ Integrated into electrical control box housing and equipped with red light which warns of low velocity; green light which indicates normal containment velocity with proper certification
	<p><u>DIFFERENTIAL PRESSURE GAUGE</u></p> <ul style="list-style-type: none"> ○ Minihelic differential pressure switch/gauges. ○ Pressure gauges (0-1" wg; 0-250 pa) installed to monitor the loading of the inlet and primary exhaust HEPA filters.
	<p><u>EXHAUST SPECIFICATIONS</u></p> <ul style="list-style-type: none"> ○ Containment provided with all doors closed ○ For room recirculation, (238) total CFM required to maintain average 120 LFPM +/-5 at inlet filter ○ With thimble, (274) total CFM required to maintain average 120 +/-5 at inlet filter
	<p><u>EXHAUST RECOMMENDATIONS</u></p> <ul style="list-style-type: none"> ○ Use thimble connection (FS2081MS) for House Exhaust connections. ○ No additional equipment required for independent recirculating configuration
DESIGN FEATURES	<p>The Glovebox Workstation is designed with multiple features for maximum containment, ease of use, and ensuring a stable work environment for sensitive activities:</p>

	<p><u>EXHAUST PORT</u></p> <ul style="list-style-type: none"> ○ 6" thimble connections to house system ○ Capable of being recirculated back into the lab
	<p><u>FS1650 ALARM</u></p> <ul style="list-style-type: none"> ○ FS1650 Integrated Face Velocity Alarm Alerts the operator when airflow is compromised.
	<p><u>LED LIGHTING</u></p> <ul style="list-style-type: none"> ○ Standard with white light ○ Optional add-on Amber LED Lighting
	<p><u>FRONT LIFT DOORS</u></p> <ul style="list-style-type: none"> ○ Pneumatic assisted hinged front door that lifts for easy loading and unloading of equipment ○ 42.00W" x 18.50"H Access Opening
	<p><u>DISHED BASE</u></p> <ul style="list-style-type: none"> ○ Dished phenolic base captures accidental liquid and powder spills
	<p><u>PLENUMS</u></p> <ul style="list-style-type: none"> ○ Rear and Top Plenums are used to direct airflow and maintain containment at the face opening. ○ Plenums also prevent particles from possibly falling back onto the work surface during loss of power
	<p><u>BAG IN/ BAG OUT</u></p> <ul style="list-style-type: none"> ○ HEPA change out system that allows for safe removal and replacement of the main 4" HEPA filter.
	<p><u>PASS THRU CHAMBER</u></p> <ul style="list-style-type: none"> ○ One (1) transfer port included on left side ○ Transfer Port Opening external 7"W x 9.5"H ○ Inward swinging transfer door to access main chamber, outward swinging door to access outside
PART #: G 10B1532975A	<p><u>GLOVE PORTS</u></p> <ul style="list-style-type: none"> ○ Quantity: 4 ○ Size: 10" diameter oval glove ports for the manipulation of process material ○ Glove ports are mounted on the front removable panel ○ The system includes: <ul style="list-style-type: none"> - Retaining O-rings - butyl gloves (9.75 hand size, ambidextrous)
	<p><u>CUSTOMIZED MASTER PORT</u></p> <ul style="list-style-type: none"> ○ The blank plate can be customized to install various items such as continuous liner, RTP ports, etc.

<p>PART #: 2092 & APS0825</p> 	<p><u>8" CONTINUOUS LINER SYSTEM</u></p> <ul style="list-style-type: none"> ○ Integrated Continuous Liner System for safe waste disposal. Seal at any increment for disposal of waste in any amount.
<p>PART #: 2093</p> 	<p><u>RTP ALPHA PORT</u></p> <ul style="list-style-type: none"> ○ Accommodates a 105mm RTP Alpha port for connecting various betas or other containers
<p>PART #: 2081MS</p>	<p><u>THIMBLE CONNECTION, 6" TO 7" TRANSITION</u></p> <ul style="list-style-type: none"> ○ Thimble for connection to house exhaust.
<p>PART #: 2062VK</p>	<p><u>VENT KIT, (8') 6" HOSE AND (2) HOSE CLAMP</u></p> <ul style="list-style-type: none"> ○ Hose and Clamp for connection to house exhaust.
<p>PART #: 2077</p>	<p><u>PRINTER SHELF – NO ALARM MOUNT</u></p> <ul style="list-style-type: none"> ○ Label printer shelf for above blank plate for label printing.
<p>PART # 4185</p>	<p><u>PRIMARY 24x14 4" BAG-IN/BAG-OUT HEPA FILTER</u></p>
<p>PART # 4155</p>	<p><u>SECONDARY 24x14 4" HEPA FILTER</u></p>
<p>PART # 4155</p>	<p><u>INLET 24x14 4" HEPA FILTER</u></p>
<p>PART #: AFC241408A_(A/B)</p>	<p><u>CARBON FILTER 24x14 - ORGANIC</u></p> <ul style="list-style-type: none"> ○ Powder coated carbon steel frame containing 8 ABS plastic canisters with coconut shell activated charcoal media.
<p>PART #: AFC241408B_(A/B)</p>	<p><u>CARBON FILTER 24x14 - ACID</u></p> <ul style="list-style-type: none"> ○ Powder coated carbon steel frame containing 8 ABS plastic canisters with impregnated coconut shell activated charcoal media.
<p>PART #: AFC241408C_(A/B)</p>	<p><u>CARBON FILTER 24x14 -AMINE</u></p> <ul style="list-style-type: none"> ○ Powder coated carbon steel frame containing 8 ABS plastic canisters with impregnated coconut shell activated charcoal media.

PART #: AFC241408D_(A/B)	<u>CARBON FILTER 24x14 - ALDEHYDE</u> <ul style="list-style-type: none"> ○ Powder coated carbon steel frame containing 8 ABS plastic canisters with impregnated coconut shell activated charcoal media.
PART #: ATC7230S	<u>TABLE, 72 X 30, POWDER COATED STEEL TABLE</u> <ul style="list-style-type: none"> ○ Powder coated carbon steel cart, on frame and feet, leveling pads ($\pm 1.25''$ of travel).
PART #: ATS7230S	<u>TABLE, 72 X 30, STAINLESS STEEL TABLE</u> <ul style="list-style-type: none"> ○ 304 Stainless steel table, on frame and feet, leveling pads ($\pm 1.25''$ of travel).
PART #: AEC7230S	<u>ADA TABLE, 72 X 30, ELECTRIC POWDER COATED TABLE</u> <ul style="list-style-type: none"> ○ Electric Ergonomic Lift Table, Powder coated carbon steel, on frame and feet, locking casters.
PART #: AES7230S	<u>ADA TABLE, 72 X 30, STAINLESS STEEL ERGONOMIC LIFT TABLE</u> <ul style="list-style-type: none"> ○ Electric Ergonomic Lift Table, 304 Stainless Steel, on frame and feet, locking casters.
PART #: ACC7230S	<u>CART, 72 X 30, POWDER COATED STEEL CART</u> <ul style="list-style-type: none"> ○ Powder coated carbon steel cart, on frame and feet, locking casters.
PART #: ACS7230S	<u>CART, 72 X 30, STAINLESS STEEL CART</u> <ul style="list-style-type: none"> ○ 304 Stainless steel cart, on frame and feet, locking casters.

INSTALLATION AND VALIDATION	Flow Sciences is delighted to offer you Installation services to ensure the complete start-up of your Biological Safety Cabinet.
INSTALLATION, START-UP AND TRAINING	<p><u>INSTALLATION</u> (at an additional charge) Flow Sciences will send One (1) Technician onsite to install equipment within your facility. Flow Sciences may require additional assistance on site. If additional assistance is required, Flow Sciences will request your assistance or provide additional technicians from Flow Sciences (at an additional charge) if no client staff is available.</p> <p><u>START-UP AND TRAINING</u> (at an additional charge) One (1) Flow Sciences technician will demonstrate the usage of the equipment and train your personnel on the usage of the equipment after the installation is complete. Flow Sciences will provide an operating manual which will include the as built drawings and all the materials certificates. ***Please note that proposal amount for Installation, Start-up and Training is for 1 days of work for one technician. Should the labour exceed this time frame, and hourly labour rate will apply.</p>
	<p><u>SURROGATE POWDER TESTS</u> (at an additional charge) Surrogate powder testing available during factory acceptance testing.</p> <p><u>IQQQ – INSTALLATION OPERATION QUALIFICATION</u> (at an additional charge)</p>